



# PRODOMO

DOORS & WINDOWS

## Doors

- All our products are made of 2 ¼” thick solid mahogany.
- Opaque and transparent stains are available in a large assortment of colors.
- Type of hardware:
  - Multipoint Keylock
  - Electric Door closer and strikers.
  - Numeric keypad, Touch or Iris Recognition.
  - We can install the hardware based on the clients specifications.
- Our Autocad technicians works together with your architects to meet your design needs.

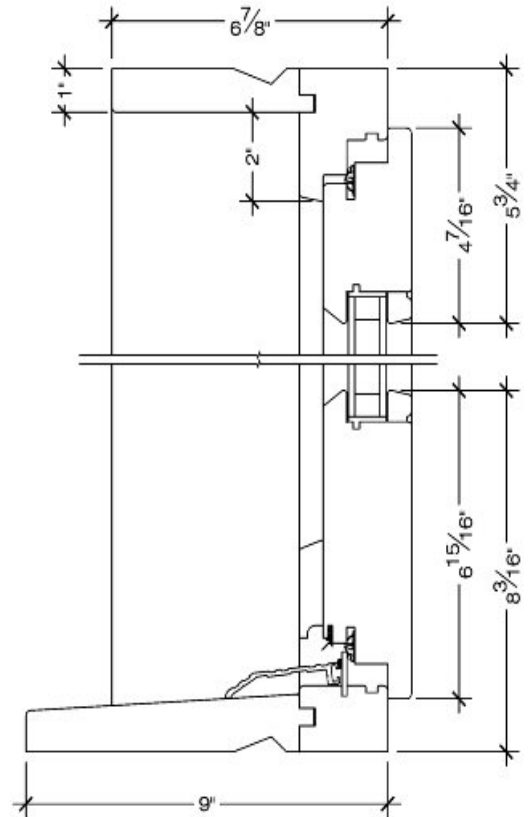




# PRODOMO

DOORS & WINDOWS

- Our Autocad technicians will provide you with all the documents necessary for the realization of your project.
- We respect the dimension requirements and project specifications.
- Type of Doors:
  - Commercial
  - Institutional
  - Residential
- Manufacturing:
  - French Doors
  - European Doors
  - American Style Doors...



- We can restore and install your existing stained glass in our products

